

DIFFERENTIAL PRESSURE GAUGE TYPE PCD

TYPE PCD, capsule system for low pressure

STANDARD MODEL

Features : capsule system
for clean air and dry gasses
case under static pressure

Liquid filling and contact devices with PCD not possible

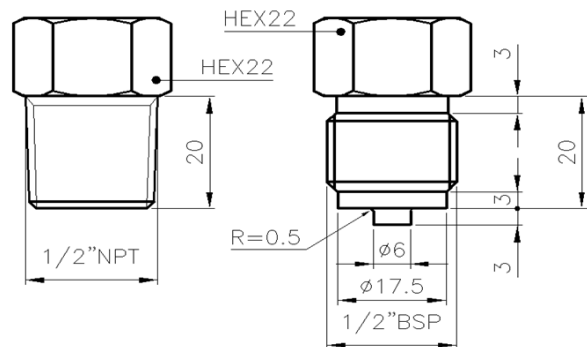
Wetted parts: capsule AISI316Ti/1.4571
st.steel; viton; NBR; macrolon
nickel plated brass movement in measuring chamber

Applications : flow measurement
heating and ventilation
filter applications
general industry
oil and gas industry
for clean air and dry gasses only



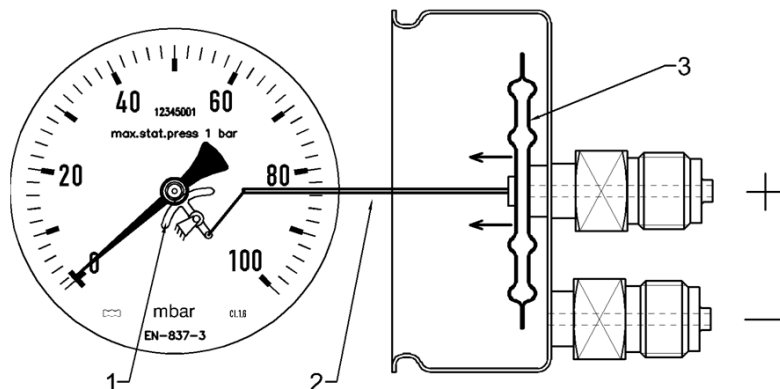
Example: PCD100XK

Type	Range	Max. stat. pressure
PCD100xx	0 - 25 mbar upto 0 - 400 mbar	1.5 bar
PCD160xx	0 - 6 mbar upto 0 - 400 mbar	1 bar



Standard connections

Options : other connections
swivel adapters
manifolds
special dials



operating principle

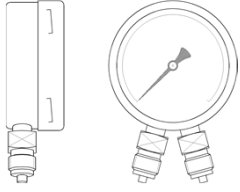
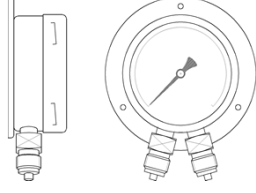
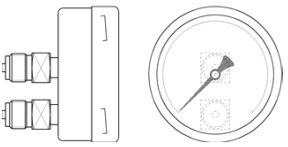
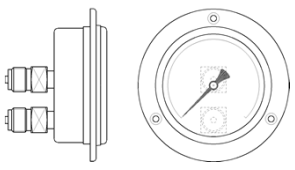
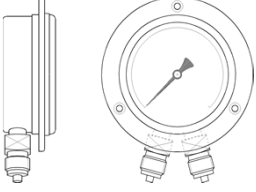
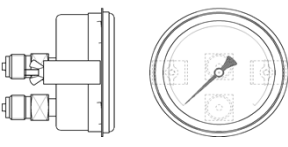
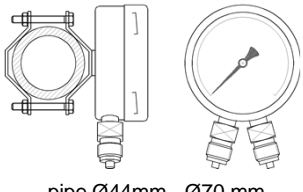
- 1 pointer mechanism
- 2 connecting rod
- 3 sensing element (capsule)

STAINLESS STEEL LOW-DIFFERENTIAL PRESSURE GAUGE, TYPE PCD

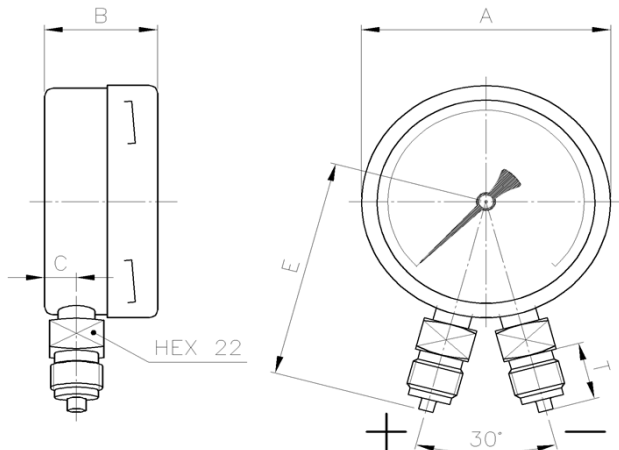
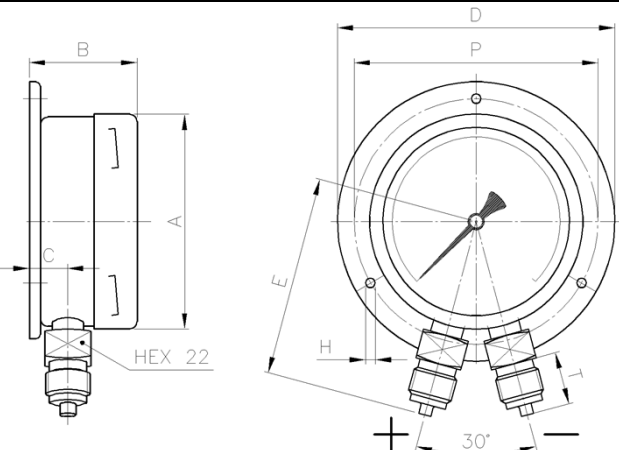
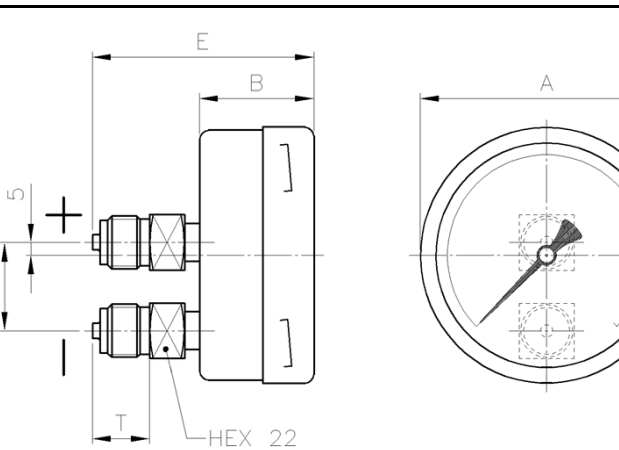
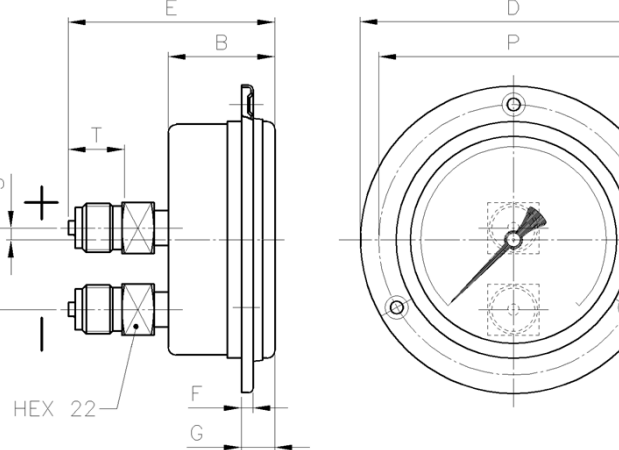
TYPE PCD, with capsule measuring element

STANDARD MODEL

CASE	: bayonet lock, AISI304/1.4301, IP-66	CONNECTION	: 2x ½"BSP or ½"NPT, AISI316L/1.4404
WINDOW	: macrolon 8 mm	MOVEMENT	: nickel plated brass
DIAL	: aluminium, black figures on white	ACCURACY	: ± 1.6% F.S./class 1.6
POINTER	: aluminium, black	OPTIONS	: see page 57-58

TYPE	MODEL	CASE DIAMETER (Ø in mm)	
		100	160
K		<i>PCD100XK</i>	<i>PCD160XK</i>
L		<i>PCD100XL</i>	<i>PCD160XL</i>
M		<i>PCD100XM</i>	<i>PCD160XM</i>
N		<i>PCD100XN</i>	<i>PCD160XN</i>
O		<i>PCD100XO</i>	<i>PCD160XO</i>
H		<i>PCD100XH</i>	<i>PCD160XH</i>
Y 2"Yoke vert or hor	 pipe Ø44mm - Ø70 mm	<i>PCD100XY</i>	<i>PCD160XY</i>
OPTION		EXTRA COSTS	
OVERRANGE PROTECTION	UPTO 10 TIMES FULL SCALE maximum 2.0 bar		
NOTES:		Contact devices / liquid filling not possible with PCD	

DIFFERENTIAL PRESSURE GAUGE TYPE PCD

TYPE	DRAWING	DIMENSIONS mm																																
K <i>PCDxxxXK</i>		<table border="1" style="width: 100%; border-collapse: collapse;"> <thead> <tr> <th rowspan="2">DIM.</th> <th colspan="2">CASE DIAMETER</th> </tr> <tr> <th style="text-align: center;">100</th> <th style="text-align: center;">160</th> </tr> </thead> <tbody> <tr> <td>A</td> <td style="text-align: center;">101.5</td> <td style="text-align: center;">162</td> </tr> <tr> <td>B</td> <td style="text-align: center;">51</td> <td style="text-align: center;">49</td> </tr> <tr> <td>C</td> <td style="text-align: center;">13</td> <td style="text-align: center;">13</td> </tr> <tr> <td>E</td> <td style="text-align: center;">90</td> <td style="text-align: center;">120</td> </tr> <tr> <td>T*</td> <td style="text-align: center;">20</td> <td style="text-align: center;">20</td> </tr> </tbody> </table> <p style="text-align: center; font-size: small;">* standard connection 1/2"BSP or 1/2"NPT</p>	DIM.	CASE DIAMETER		100	160	A	101.5	162	B	51	49	C	13	13	E	90	120	T*	20	20												
		DIM.		CASE DIAMETER																														
100	160																																	
A	101.5	162																																
B	51	49																																
C	13	13																																
E	90	120																																
T*	20	20																																
L <i>PCDxxxXL</i>		<table border="1" style="width: 100%; border-collapse: collapse;"> <thead> <tr> <th rowspan="2">DIM.</th> <th colspan="2">CASE DIAMETER</th> </tr> <tr> <th style="text-align: center;">100</th> <th style="text-align: center;">160</th> </tr> </thead> <tbody> <tr> <td>A</td> <td style="text-align: center;">101.5</td> <td style="text-align: center;">162</td> </tr> <tr> <td>B</td> <td style="text-align: center;">54</td> <td style="text-align: center;">52</td> </tr> <tr> <td>C</td> <td style="text-align: center;">16</td> <td style="text-align: center;">15</td> </tr> <tr> <td>D</td> <td style="text-align: center;">132</td> <td style="text-align: center;">196</td> </tr> <tr> <td>E</td> <td style="text-align: center;">90</td> <td style="text-align: center;">120</td> </tr> <tr> <td>P</td> <td style="text-align: center;">116</td> <td style="text-align: center;">178</td> </tr> <tr> <td>H</td> <td style="text-align: center;">4,5</td> <td style="text-align: center;">6</td> </tr> <tr> <td>T*</td> <td style="text-align: center;">20</td> <td style="text-align: center;">20</td> </tr> </tbody> </table> <p style="text-align: center; font-size: small;">* standard connection 1/2"BSP or 1/2"NPT</p>	DIM.	CASE DIAMETER		100	160	A	101.5	162	B	54	52	C	16	15	D	132	196	E	90	120	P	116	178	H	4,5	6	T*	20	20			
		DIM.		CASE DIAMETER																														
100	160																																	
A	101.5	162																																
B	54	52																																
C	16	15																																
D	132	196																																
E	90	120																																
P	116	178																																
H	4,5	6																																
T*	20	20																																
M <i>PCDxxxXM</i>		<table border="1" style="width: 100%; border-collapse: collapse;"> <thead> <tr> <th rowspan="2">DIM.</th> <th colspan="2">CASE DIAMETER</th> </tr> <tr> <th style="text-align: center;">100</th> <th style="text-align: center;">160</th> </tr> </thead> <tbody> <tr> <td>A</td> <td style="text-align: center;">101.5</td> <td style="text-align: center;">162</td> </tr> <tr> <td>B</td> <td style="text-align: center;">51</td> <td style="text-align: center;">49</td> </tr> <tr> <td>E</td> <td style="text-align: center;">90</td> <td style="text-align: center;">88</td> </tr> <tr> <td>T*</td> <td style="text-align: center;">20</td> <td style="text-align: center;">20</td> </tr> </tbody> </table> <p style="text-align: center; font-size: small;">* standard connection 1/2"BSP or 1/2"NPT</p>	DIM.	CASE DIAMETER		100	160	A	101.5	162	B	51	49	E	90	88	T*	20	20															
		DIM.		CASE DIAMETER																														
100	160																																	
A	101.5	162																																
B	51	49																																
E	90	88																																
T*	20	20																																
N <i>PCDxxxXN</i>		<table border="1" style="width: 100%; border-collapse: collapse;"> <thead> <tr> <th rowspan="2">DIM.</th> <th colspan="2">CASE DIAMETER</th> </tr> <tr> <th style="text-align: center;">100</th> <th style="text-align: center;">160</th> </tr> </thead> <tbody> <tr> <td>A</td> <td style="text-align: center;">101.5</td> <td style="text-align: center;">162</td> </tr> <tr> <td>B</td> <td style="text-align: center;">51</td> <td style="text-align: center;">49</td> </tr> <tr> <td>D</td> <td style="text-align: center;">132</td> <td style="text-align: center;">196</td> </tr> <tr> <td>E</td> <td style="text-align: center;">90</td> <td style="text-align: center;">88</td> </tr> <tr> <td>F</td> <td style="text-align: center;">3,5</td> <td style="text-align: center;">3</td> </tr> <tr> <td>G</td> <td style="text-align: center;">13</td> <td style="text-align: center;">15,5</td> </tr> <tr> <td>H</td> <td style="text-align: center;">4,5</td> <td style="text-align: center;">6</td> </tr> <tr> <td>P</td> <td style="text-align: center;">116</td> <td style="text-align: center;">178</td> </tr> <tr> <td>T*</td> <td style="text-align: center;">20</td> <td style="text-align: center;">20</td> </tr> </tbody> </table> <p style="text-align: center; font-size: small;">* standard connection 1/2"BSP or 1/2"NPT</p>	DIM.	CASE DIAMETER		100	160	A	101.5	162	B	51	49	D	132	196	E	90	88	F	3,5	3	G	13	15,5	H	4,5	6	P	116	178	T*	20	20
		DIM.		CASE DIAMETER																														
100	160																																	
A	101.5	162																																
B	51	49																																
D	132	196																																
E	90	88																																
F	3,5	3																																
G	13	15,5																																
H	4,5	6																																
P	116	178																																
T*	20	20																																

DIFFERENTIAL PRESSURE GAUGE TYPE PCD

TYPE	DRAWING	DIMENSIONS mm																																			
O <i>PCDxxxXO</i>		<table border="1" style="width: 100%; border-collapse: collapse;"> <thead> <tr> <th rowspan="2">DIM.</th> <th colspan="2">CASE DIAMETER</th> </tr> <tr> <th>100</th> <th>160</th> </tr> </thead> <tbody> <tr><td>A</td><td>101.5</td><td>162</td></tr> <tr><td>B</td><td>51</td><td>49</td></tr> <tr><td>C</td><td>13</td><td>13</td></tr> <tr><td>D</td><td>132</td><td>196</td></tr> <tr><td>E</td><td>90</td><td>120</td></tr> <tr><td>F</td><td>3,5</td><td>3</td></tr> <tr><td>G</td><td>13</td><td>15,5</td></tr> <tr><td>H</td><td>4,5</td><td>6</td></tr> <tr><td>P</td><td>116</td><td>178</td></tr> <tr><td>T*</td><td>20</td><td>20</td></tr> </tbody> </table> <p style="text-align: center; font-size: small;">* standard connection 1/2"BSP or 1/2"NPT</p>	DIM.	CASE DIAMETER		100	160	A	101.5	162	B	51	49	C	13	13	D	132	196	E	90	120	F	3,5	3	G	13	15,5	H	4,5	6	P	116	178	T*	20	20
DIM.	CASE DIAMETER																																				
	100	160																																			
A	101.5	162																																			
B	51	49																																			
C	13	13																																			
D	132	196																																			
E	90	120																																			
F	3,5	3																																			
G	13	15,5																																			
H	4,5	6																																			
P	116	178																																			
T*	20	20																																			
H <i>PCDxxxXH</i>		<table border="1" style="width: 100%; border-collapse: collapse;"> <thead> <tr> <th rowspan="2">DIM.</th> <th colspan="2">CASE DIAMETER</th> </tr> <tr> <th>100</th> <th>160</th> </tr> </thead> <tbody> <tr><td>A</td><td>101.5</td><td>162</td></tr> <tr><td>B</td><td>51</td><td>49</td></tr> <tr><td>D</td><td>110</td><td>180</td></tr> <tr><td>E</td><td>90</td><td>88</td></tr> <tr><td>F</td><td>3,5</td><td>3</td></tr> <tr><td>G</td><td>10,5</td><td>9</td></tr> <tr><td>T*</td><td>20</td><td>20</td></tr> </tbody> </table> <p style="text-align: center; font-size: small;">* standard connection 1/2"BSP or 1/2"NPT</p>	DIM.	CASE DIAMETER		100	160	A	101.5	162	B	51	49	D	110	180	E	90	88	F	3,5	3	G	10,5	9	T*	20	20									
DIM.	CASE DIAMETER																																				
	100	160																																			
A	101.5	162																																			
B	51	49																																			
D	110	180																																			
E	90	88																																			
F	3,5	3																																			
G	10,5	9																																			
T*	20	20																																			
Y <i>PCDxxxXY</i> pipe size: Ø44 - Ø70 mm		<table border="1" style="width: 100%; border-collapse: collapse;"> <thead> <tr> <th rowspan="2">DIM.</th> <th colspan="2">CASE DIAMETER</th> </tr> <tr> <th>100</th> <th>160</th> </tr> </thead> <tbody> <tr><td>A</td><td>101.5</td><td>162</td></tr> <tr><td>B</td><td>94**</td><td>92**</td></tr> <tr><td>C</td><td>56</td><td>56</td></tr> <tr><td>E</td><td>90</td><td>88</td></tr> <tr><td>T*</td><td>20</td><td>20</td></tr> </tbody> </table> <p style="text-align: center; font-size: small;">* standard connection 1/2"BSP or 1/2"NPT ** dimensions for 2" pipe size</p> <p style="text-align: center; font-size: small;">bracket for horizontal or vertical pipe mounting</p>	DIM.	CASE DIAMETER		100	160	A	101.5	162	B	94**	92**	C	56	56	E	90	88	T*	20	20															
DIM.	CASE DIAMETER																																				
	100	160																																			
A	101.5	162																																			
B	94**	92**																																			
C	56	56																																			
E	90	88																																			
T*	20	20																																			