

CAPILLARY DIAL THERMOMETERS

Type TPC, with glassfibre reinforced black Noryl case

STANDARD MODEL:

CASE : glassfibre reinforced black Noryl, IP45
square or rectangular shaped for panel mounting

CAPILLARY TUBE : see page 24 (upto 100 meter)

STEM AND BULB : AISI321/1.4541, see page 25 - 27

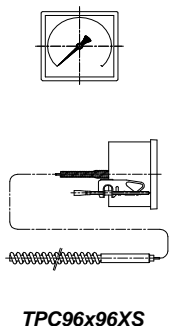
CONNECTION : AISI304/1.4301, see page 25 - 27

WINDOW : plexi-glass PMMA 3 mm

DIAL : aluminium, black figures on white

POINTER : aluminium, black

EXAMPLE:



RANGES : from -200 upto +800°C, see page 28 - 30

ADJUSTMENT : +/- 6 % F.S. with adj. screw at the side

OVERLOAD : up to 30% F.S. (but max. 800°C)

ACCURACY : ±1% F.S. / class 1

MOVEMENT : brass

OPTIONS : see page 32

CONTACTS : see page 33 - 41,43

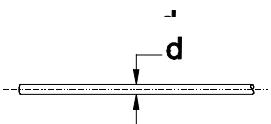
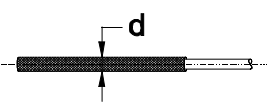
PT-100 : see page 42

TRANSMITTER : see page 42

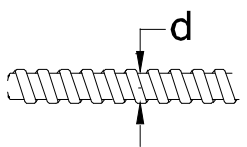
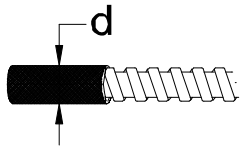
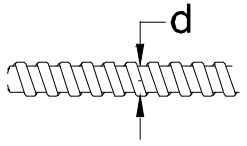
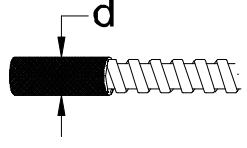
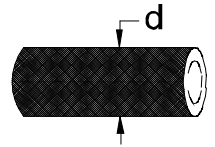
TYPE	SQUARE MODEL	CASE DIMENSIONS (in mm)			
		72x72	96x96	144x144	192x192
S 1201...1204		TPC72x72XS	TPC96x96XS	TPC144x144XS	TPC192x192XS
TYPE	VERTICAL MODEL	72x144		96x192	
V 1211...1212		TPC72x144XV		TPC96x192XV	
TYPE	HORIZONTAL MODEL	144x72		192x96	
H 1211...1212		TPC144x72XH		TPC192x96XH	

NOTE: LIQUID FILLING FOR TYPE TPC IS NOT POSSIBLE (USE E.G. TXC WITH SPECIAL SQUARE FRONTFLANGES : O.D.)

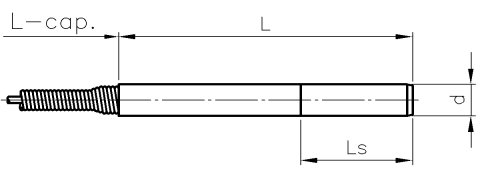
CAPILLARY

MATERIAL	MODEL	Ø d (mm)	Tmin	Tmax	CAPILLARY LENGTH Lc	
			°C		EXTRA COSTS	
STAINLESS STEEL AISI321 / 1.4541		2	-260	+800	per 1000 mm	
STAINLESS STEEL AISI321 / 1.4541 + PVC		4	-60	+120	per 1000 mm	

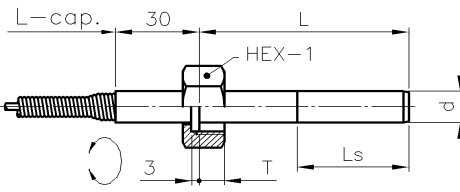
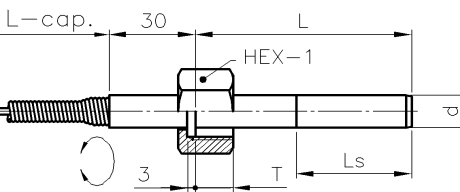
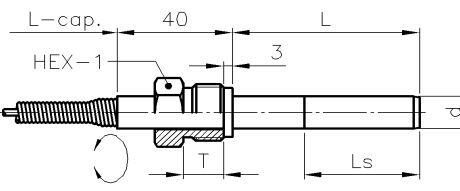
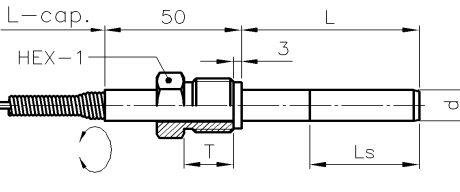
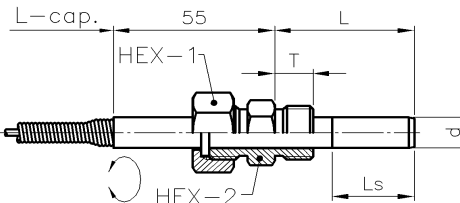
CAPILLARY COVERINGS for above mentioned capillary

MATERIAL	MODEL	Ø d (mm)	Tmin	Tmax	CAPILLARY LENGTH Lc	
			°C		FIRST 1000 MM	FURTHER PER 1000 MM
FLEXIBLE STAINLESS STEEL AISI304/1.4301		7	-260	+800		
FLEXIBLE STAINLESS STEEL AISI304/1.4301 +PVC		8	-60	+120		
FLEXIBLE STAINLESS STEEL AISI316/1.4401		7	-260	+800		
FLEXIBLE STAINLESS STEEL AISI316/1.4401 +PVC		7	-60	+120		
PLUMB (Pb)		16	-20	+200		

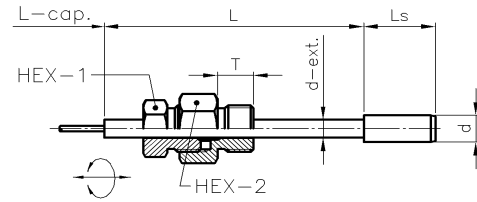
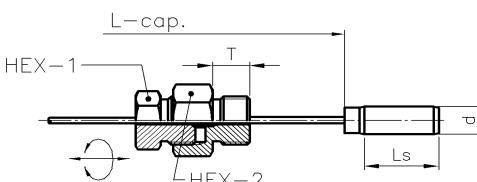
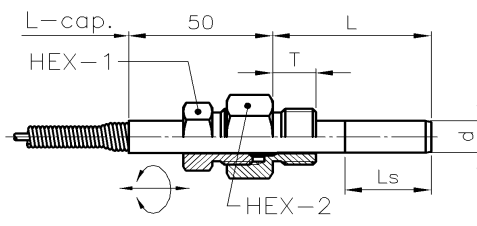
BULB LENGTH AND DIAMETER FOR TYPE TXC

TYPE	STANDARD MODEL	bulb diameter Ø d	EXTRA COSTS per 100 mm STAINLESS STEEL AISI321/1.4541
A <i>plain stem</i>		9, 10, 12	per 100 mm
		6, 6.35, 8, 11, 12.5, 13, 14	per 100 mm
		7, 15, 16, 17, 18, 20	per 100 mm
FOR SHORTEST SENSITIVE PART "Ls": SEE PAGE 31		FOR OPTIONS ON BULB LENGTH AND DIAMETER: SEE PAGE 27	

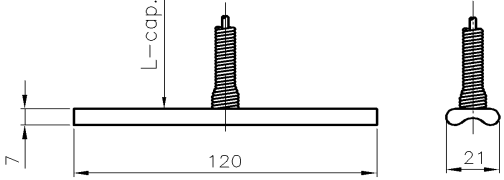
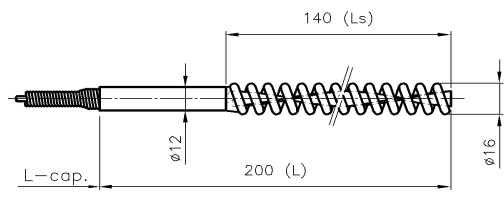
CONNECTIONS FOR CAPILLARY MODELS TYPE TXC

TYPE	MODEL	DIMENSIONS				EXTRA COSTS	
		connection	HEX-1	HEX-2	T	d max	STAINLESS STEEL AISI304/1.4301
B <i>coupling nut (standard model)</i>		1/4" BSP	22	-	7	Ø 8	
		3/8" BSP	27	-	9	Ø 11	
		1/2" BSP	27	-	9	Ø 15	
		3/4" BSP	32	-	9	Ø 20	
		1" BSP	41	-	13	Ø 20	
		M18x1.5	27	-	8	Ø 12	
		M20x1.5	27	-	9	Ø 14	
		M24x1.5	32	-	9	Ø 18	
BL <i>coupling nut (long model)</i>		1/2" BSP	27	-	14	Ø 15	
		3/4" BSP	32	-	16	Ø 20	
		1" BSP	41	-	18	Ø 20	
A04 <i>turning nipple (standard model)</i>		1/4" BSP	17	-	12	Ø 8	
		3/8" BSP	22	-	12	Ø 11	
		1/2" BSP	22	-	14	Ø 15	
		3/4" BSP	30	-	16	Ø 20	
		1" BSP	36	-	18	Ø 20	
		M18x1.5	22	-	12	Ø 12	
		M24x1.5	27	-	14	Ø 18	
AL04 <i>turning nipple (long model)</i>		1/2" BSP	22	-	20	Ø 15	
		3/4" BSP	30	-	20	Ø 20	
		1" BSP	36	-	25	Ø 20	
B 01 <i>coupling nut + double nipple</i>		1/4" BSP	27	22	12	Ø 8	
		3/8" BSP	27	22	12	Ø 11	
		1/2" BSP	27	22	14	Ø 15	
		3/4" BSP	27	27	16	Ø 20	
		1" BSP	27	36	18	Ø 20	
		1/4" NPT	27	22	14	Ø 8	
		1/2" NPT	27	22	20	Ø 15	
		3/4" NPT	27	27	20	Ø 20	
		1" NPT	27	36	25	Ø 20	
		M18x1.5	27	22	12	Ø 12	
		M24x1.5	27	27	14	Ø 18	
THREAD BETWEEN HEX-1 and HEX-2: 1/2" BSP							

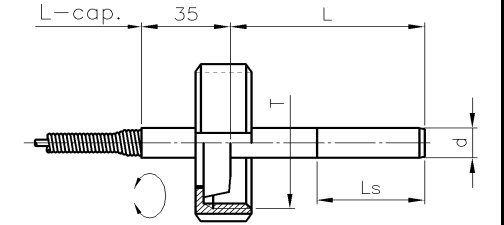
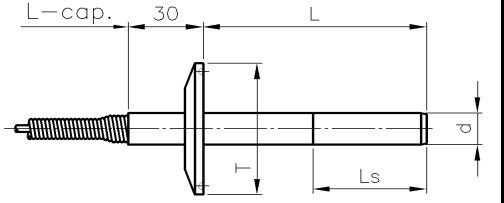
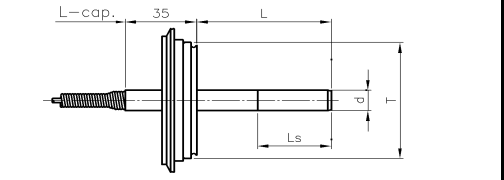
CONNECTIONS FOR CAPILLARY MODELS TYPE TXC

TYPE	MODEL	DIMENSIONS				EXTRA COSTS	
		connection	HEX-1	HEX-2	T	d max	STAINLESS STEEL AISI304/1.4301
		CS 1 <i>adjustable connection, sliding on extension tube</i>	 <p>THREAD BETWEEN HEX-1 and HEX-2: 1/2"BSP</p>	1/4"BSP	22	27	12
3/8"BSP	22			27	12	Ø 14	
1/2"BSP	22			27	14	Ø 18	
3/4"BSP	22			32	16	Ø 23	
1"BSP	22			36	18	Ø 30	
1/4"NPT	22			27	14	Ø 13	
1/2"NPT	22			27	20	Ø 20	
3/4"NPT	22			27	20	Ø 25	
1"NPT	22			36	25	Ø 32	
M18x1.5	22			27	12	Ø 16	
M20x1.5	22			27	14	Ø 18	
M24x1.5	22			27	14	Ø 22	
CS 2 <i>adjustable connection, sliding on capillary</i>	 <p>THREAD BETWEEN HEX-1 and HEX-2: 1/2"BSP</p>			1/4"BSP	22	27	12
		3/8"BSP	22	27	12	Ø 14	
		1/2"BSP	22	27	14	Ø 18	
		3/4"BSP	22	32	16	Ø 23	
		1"BSP	22	36	18	Ø 30	
		1/4"NPT	22	27	14	Ø 13	
		1/2"NPT	22	27	20	Ø 20	
		3/4"NPT	22	27	20	Ø 25	
		1"NPT	22	36	25	Ø 32	
		M18x1.5	22	27	12	Ø 16	
		M20x1.5	22	27	14	Ø 18	
		M24x1.5	22	27	14	Ø 22	
		CS 3 <i>adjustable connection, sliding on stem</i>	 <p>THREAD BETWEEN HEX-1 and HEX-2: 1/2"BSP</p>	1/4"BSP	22	27	12
3/8"BSP	22			27	12	Ø 11	
1/2"BSP	22			27	14	Ø 15	
3/4"BSP	22			32	16	Ø 20	
1"BSP	22			36	18	Ø 20	
1/4"NPT	22			27	14	Ø 8	
1/2"NPT	22			27	20	Ø 15	
3/4"NPT	22			27	20	Ø 20	
1"NPT	22			36	25	Ø 20	
M18x1.5	22			27	12	Ø 12	
M20x1.5	22			27	14	Ø 14	
M24x1.5	22			27	14	Ø 18	
	FOR CONNECTION TYPE CS3			1/2"BSP female			
		3/4"BSP female					
		1"BSP female					

CONNECTIONS FOR CAPILLARY MODELS TYPE TXC

TYPE	MODEL	DIMENSIONS			EXTRA COSTS
					STAINLESS STEEL
		L	D-1	D-2	AISI321/1.4541
S <i>surface bulb</i>	 <p style="text-align: right; font-size: small;">for L longer than 100 see page 25</p>	-	-	-	
HA <i>helical air bulb</i>	 <p style="text-align: right; font-size: small;">for L longer than 200 see page 25</p>	-	-	-	

SANITARY CONNECTIONS FOR CAPILLARY MODELS TYPE TXC

TYPE	MODEL WITH POLISHED BULB	DIMENSIONS		EXTRA COSTS
				STAINLESS STEEL
		connection	T	AISI316/1.4401
CM <i>acc. to DIN 11851</i>	 <p style="text-align: center; font-size: small;">(also available in SMS, RJT, IDF etc.)</p>	1" - DN25	rd 52 x 1/6	
TC <i>TRI CLAMP acc. to ISO 2852</i>		1 1/2" - DN40	rd 65 x 1/6	
		2" - DN50	rd 78 x 1/6	
		3" - DN80	rd 104 x 1/6	
TV <i>Varivent® In-Line</i>		1"	Ø 50.5	
		1 1/2"	Ø 50.5	
		2"	Ø 64	
		DN50	Ø 50	
		Suitable for In Line housing DN25		
		DN68	Ø 68	
		Suitable for In Line housing DN40 and up		

OPTIONS FOR BULB AND STEM

OPTION	EXTRA COSTS	
	PER 100 MM	
BULB AND STEM AISI316/1.4401	for diameter 6, 8, 9, 10, 12, 13, 14, 15, 16, 18	
BULB AND STEM POLISHED (MECHANICAL)	for all diameters	
BULB AND STEM PTFE® LINING (max.250° C)	first 100 mm: per 100 mm extra:	
BULB AND STEM HALAR® COATED (max.120° C)		